



FTE120-I

Inline Type Air Flow Transmitter

Air flow / Air velocity-FTE120-I

www.eyc-tech.com


| Features |

- Optional multiple output : 4 ... 20 mA / 0 ... 10 V / RS-485 / Frequency / Pulse (Option)
- Accuracy : $\pm 2\%$ F.S. , Operating pressure : Max. 10 bar
- Calibrated by sonic nozzles calibration system
- Multiple diameter (DN10 / DN15 / DN20 / DN25), easy installation
- Polycarbonate housing, aluminum alloy pipe
- RS-485 programmable software : Data logger / Charts

| Applications |

Pneumatic system / Compressed air system / Industrial machinery equipment
 Pipeline air flow monitoring

| Specification |

Input

Sensor type	Thermal mass flow sensor
Measuring range*	DN10 : 0 ... 150 l/min
	DN15 : 0 ... 500 l/min
	DN20 : 0 ... 1000 l/min
	DN25 : 0 ... 1500 l/min
Minimum measuring range	5 l/min

*The measurement range is defined at the standard condition(1013 mbar, 20°C).
This product is also calibrated at this condition.

Output

Signal	4 ... 20 mA / 0 ... 10 V / RS-485
	Frequency (0 ... 100 Hz)
	Pulse (1 ... 100 l/pulse, option)
Accuracy	±2% F.S.
Temp. influence	0.2% / °C
Response time	t90 ≤ 5 sec
Load resistance	Current output : ≤ 500 Ω
	Voltage output : ≥ 100 KΩ
Warm-up time	< 2 min.

Environmental

Medium	Air
Housing operating Temp. / Humid.	0 ... 50°C / 0 ... 95%RH(Non-condensing)
Medium operating Temp. / Humid.	0 ... 50°C / 0 ... 95%RH(Non-condensing)
Storage Temp.	-20 ... +60°C
Operating pressure	10 bar

Electrical

Power supply	DC 24 V ±10%
Current consumption	100 mA
Overvoltage protection	DC : < 40 V
Electrical connections	PVC cable (1 m)

Installation

Inline type	DN10 - G1/4"
	DN15 - G1/2"
	DN20 - G3/4"
	DN25 - G1"

Protection

IP rating	IP 65 (Housing) / IP20 (Probe)
Electrical protection	■ Reverse polarity
	■ Over-voltage
	■ Short-circuit

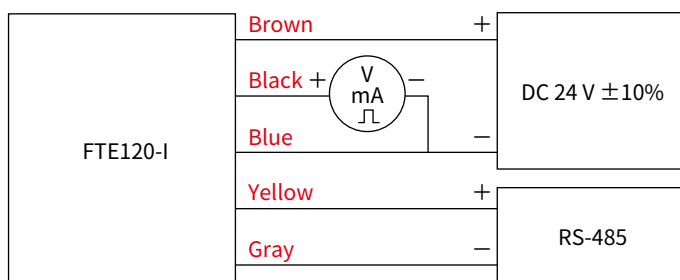
Certification

Certification	CE
---------------	----

Material

Housing	PC
Pipe	Aluminum alloy
Weight	DN10 : 160 g
	DN15 : 400 g
	DN20 : 465 g
	DN25 : 520 g

| Connection Diagram |



*Please make sure the product and the device which connect with RS-485 are on common ground, avoid damaged product.

| Calibration System |

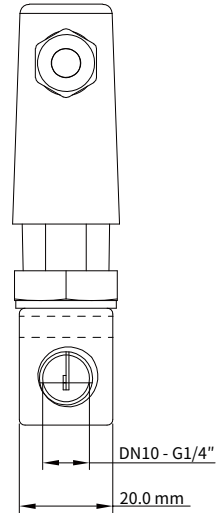
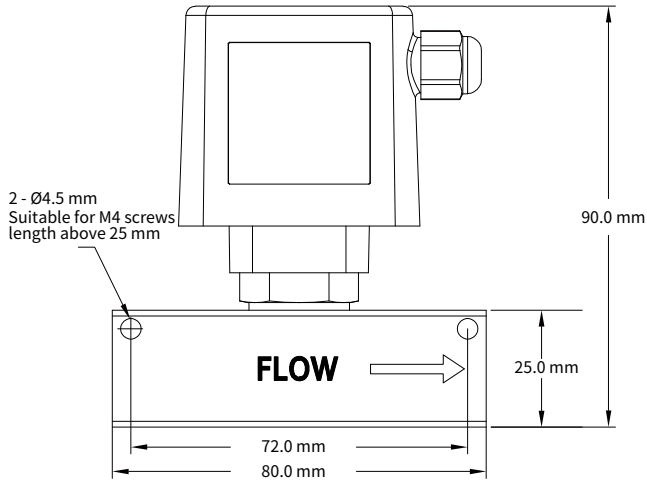


Air volume standard calibration system
Air volume : 0.5 m³/h ... 1000 m³/h

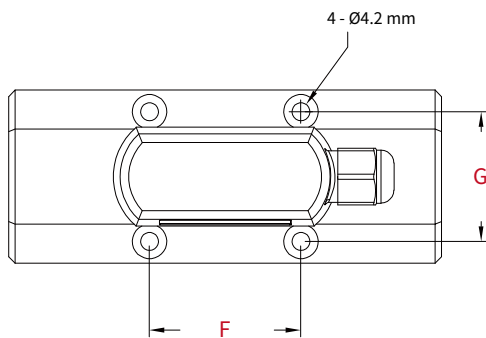
Referring to ISO 9300 "Flow Measurement of Critical Flow Venturi Nozzles", this device is a standard flow device combination consisting of multiple venturi nozzles according to the maximum and minimum flow ranges that need to be calibrated.

| Dimension |

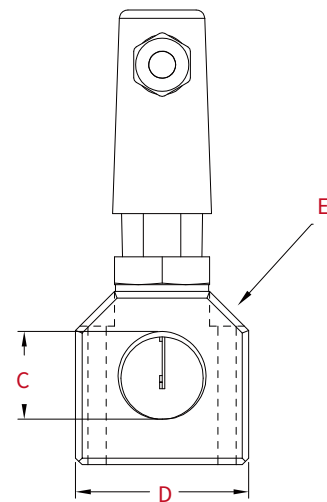
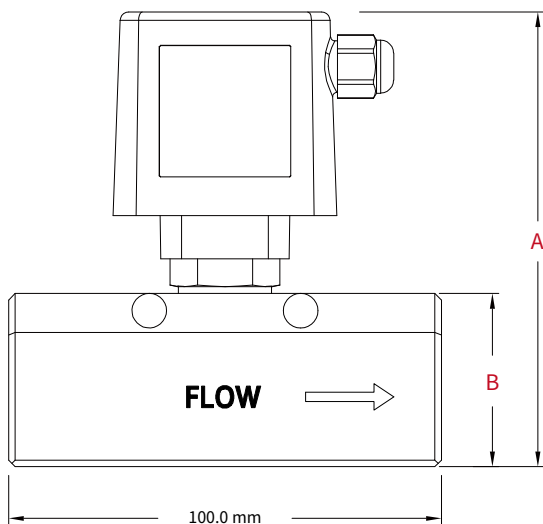
■ DN10 (1/4")



■ DN15 (1/2") 、 DN20 (3/4") 、 DN25 (1")



	DN15 (1/2")	DN20 (3/4")	DN25 (1")
A	105.0 mm	110.0 mm	115.0 mm
B	40.0 mm	45.0 mm	50.0 mm
C	DN15 - G1/2"	DN20 - G3/4"	DN25 - G1"
D	40.0 mm	45.0 mm	50.0 mm
E	Suitable for M4 screws length above 45 mm	Suitable for M4 screws length above 50 mm	Suitable for M4 screws length above 55 mm
F	35.0 mm	50.0 mm	50.0 mm
G	30.0 mm	37.0 mm	40.0 mm



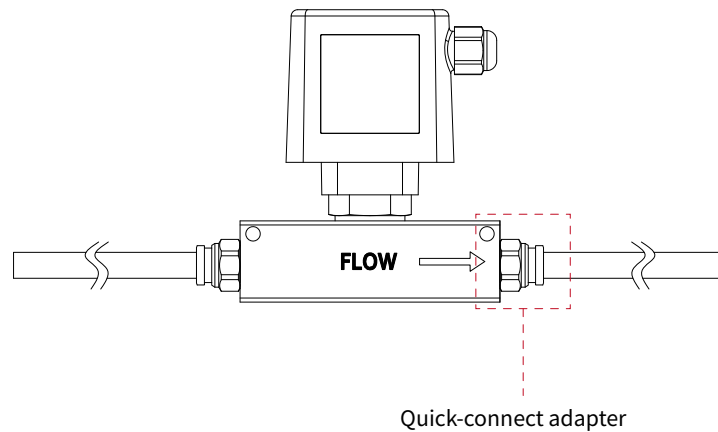
| Air Pipes Installation |

- It can be connected to air pipes through commercially available quick-connect adapters.

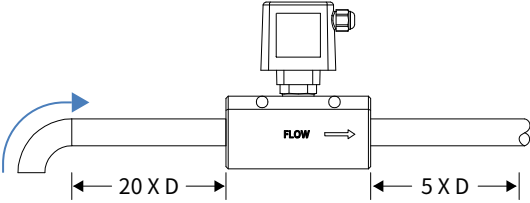
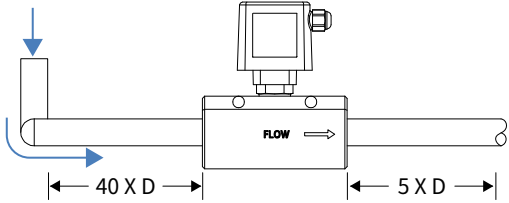
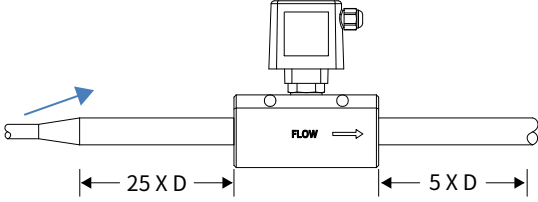
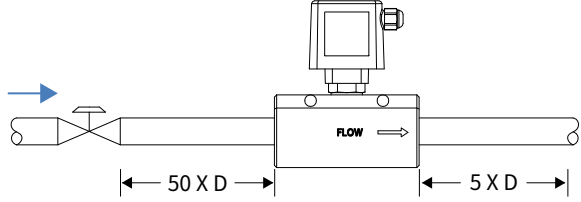
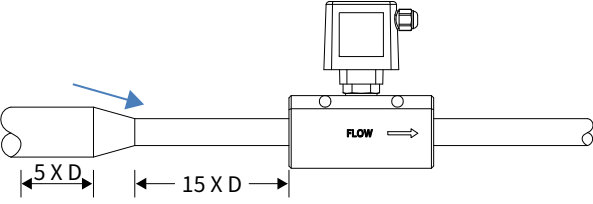
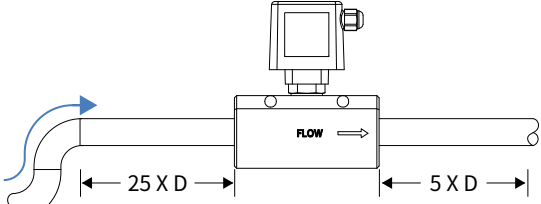
The common thread sizes for adapters are G1/4" and G1/2", and the common pipe diameters for connections are $\varnothing 4 \dots 16$ mm.

- To ensure a stable flow profile inside transmitter, it is necessary to keep a straight pipe section during installation.

The length of the straight pipe section can be referred to the "Installation Instructions" below.

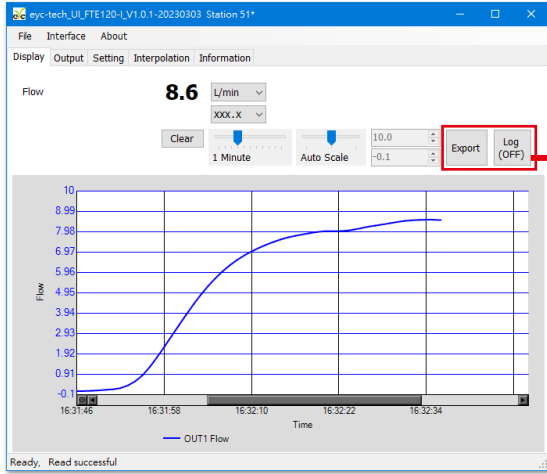


| Installation Instructions |

<p>90° pipe (Air passes through the pipe turn)</p>	<p>Continuous 90° pipes in different horizontal planes (Vertical gas flow and through curved pipes)</p>
	
<p>Tube expanding state (Gas flow becomes large from small)</p>	<p>Control valve status (Switch switching / Air flow adjustment)</p>
	
<p>Shrinking tube state (Air flow from large to small)</p>	<p>The gas flows continuously through the 90° bend in the same horizontal plane</p>
	

| With RS-485 Software |

■ Data logger and Charts



Charts

Time	OUT1 Flow	Out...
023/03/14 下午 04:31:15	0.144879028	0.008692
023/03/14 下午 04:31:16	0.150521591	0.009031
023/03/14 下午 04:31:17	0.152126953	0.009127
023/03/14 下午 04:31:18	0.149822235	0.008989
023/03/14 下午 04:31:19	0.146389008	0.00878
023/03/14 下午 04:31:20	0.139109299	0.008346
023/03/14 下午 04:31:21	0.129747391	0.007784
023/03/14 下午 04:31:22	0.12319883	0.00739
023/03/14 下午 04:31:23	0.119654335	0.00717
023/03/14 下午 04:31:24	0.115013123	0.006900
023/03/14 下午 04:31:25	0.108544029	0.006512
023/03/14 下午 04:31:26	0.101693474	0.006101
023/03/14 下午 04:31:27	0.096416473	0.005784
023/03/14 下午 04:31:28	0.09161631	0.00549

■ Offset adjustment

Offset Adjustment

Flow Offset (L/min)

Low Cut Off (L/min)

■ Adjustable range

File Interface About

Display Output **Setting** Interpolation Information

OUT1

Quantity **Flow Volume**

Response Rate (0~100)

Analog Range **4-20mA**

Upper Range

Lower Range

Alarm Mode

Upper Point

Lower Point

Upper Level

Lower level

| Ordering Guide |

FTE120 — I —

I : Inline type

Range

2

- 1 : 150 l/min, DN10-G1/4"
- 2 : 500 l/min, DN15-G1/2"
- 3 : 1000 l/min, DN20-G3/4"
- 4 : 1500 l/min, DN25-G1"

Output

1

- 2 : 4 ... 20 mA+RS-485
- 3 : 0 ... 10 V+RS-485
- 4 : Frequency
- 5 : Pulse (Option)

| Additional Option Test Report |

For more detailed information please contact us.

■ ISO 9001

Project	Measurand level or range
Air volume	Air volume : ≤ 0 ... 1000 m³/h