



DPM03

# Multifunction Signal Display Monitor



## | Features |

- High accuracy  $\pm 0.1\%$  F.S.  $\pm 1$  digit
- 2" LCD display, 5-digit display, decimal point configurable.
- Input signals: Current / Voltage
- Output signals: Current / Voltage / Relay / RS-485
- Power supply: AC 90 ... 250 V / DC 24 V
- Auxiliary power: DC 18 ... 26 V / 50 mA
- Square root function for analog signals
- Relay output can be configured for corresponding action modes (Hi / Lo), hysteresis, delay time, and reset delay.
- The linear interpolation function enables the adjustment of non-linear analog input.

## | Applications |

Industrial / Factory Automation / Chemical Engineering / Water Treatment / Energy / Environmental Monitoring /  
Environmental Monitoring / Pharmaceuticals

## | Specification |

### Display

Display readout	5-digit
Decimal point	0 ... 4 place
Display	2" LCD display, Digit height : 12 mm
Sampling time	8 ms
Response time adjustment range	0.5 ... 60 sec
Parameter setting mode	Button

### Input

Signal type	Current : 0 ... 20 mA / 4 ... 20 mA
	Voltage : 0 ... 10 V

### Output

Signal Type	Current : 0 ... 20 mA / 4 ... 20 mA
	Voltage : 0 ... 10 V

### Accuracy

Display	$\pm 0.1\%$ F.S. $\pm 1$ digit
Input	Current : $\pm 0.1\%$ F.S.
	Voltage : $\pm 0.1\%$ F.S.
Output	Current : $\pm 0.2\%$ F.S.
	Voltage : $\pm 0.2\%$ F.S.
Temp. influence	$\pm 100$ ppm/ $^{\circ}$ C

### Relays

Alarm hysteresis	Display value or 0 ... 100%
ON and OFF delay	0 ... 3600 sec
Output signal error detection	Yes
Relay actuation direction	Upper limit : HI / AL
	Lower limit : LO / AL
Relay capacity	Max current : 6A
	Max voltage : AC 277 V / DC 30 V
	Max power : 1500 VA / 180 W

### Communication

Communication methods & protocol	RS-485 Modbus RTU, master or slave
RS-485 baud rate	9600、19200、38400、57600、115200 bps

### Environment

Operating environment	0 ... +60 $^{\circ}$ C
	0 ... 95%RH(Non-condensing)
Storage environment	-25 ... +60 $^{\circ}$ C

### Electrical

Power supply / Voltage	AC 90 ... 250 V / 50 ... 60 Hz
	DC 24 V $\pm$ 10%
Auxiliary power / Output	DC 18 ... 26 V / 50 mA
Insulation voltage endurance	2 K Vac/1 min
Parameter memory type	FLASH
Dissipated power	5 W

### Isolation

#### Analog output

### Protection

IP rating	IP65 (Front panel)
Electrical protection	<input checked="" type="checkbox"/> Polarity protection <input checked="" type="checkbox"/> Over-voltag

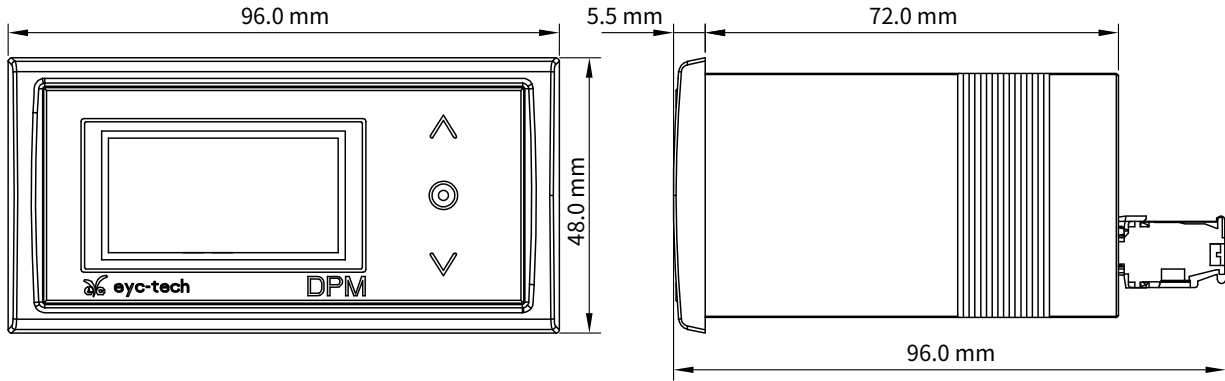
### Certification

Certification	CE
---------------	----

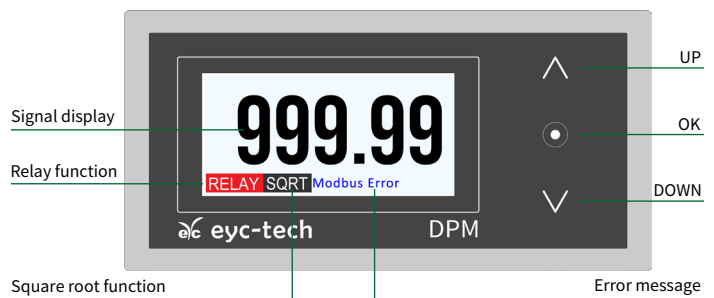
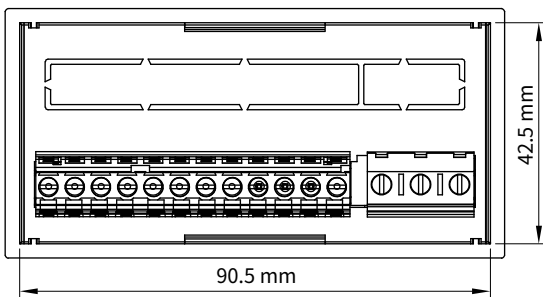
### Material

Housing	ABS fire-proof class(UL94V-0)
Dimensions(HxWxD)	48x96x96 mm
Cut out dimensions	42.5x90.5 mm(+1 mm)
Weight	About 160 g

| Dimension | Unit : mm

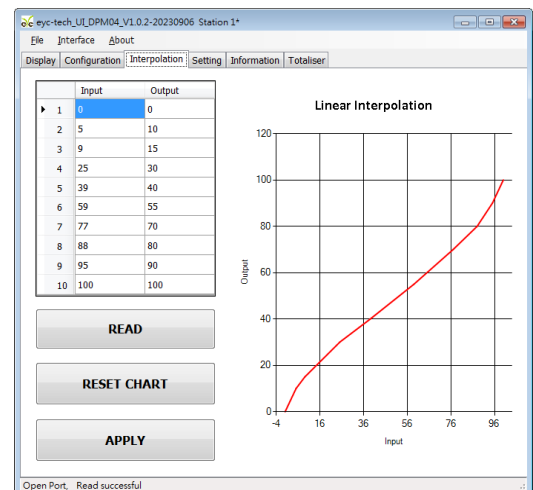


| Installation Dimension | | Display Information |



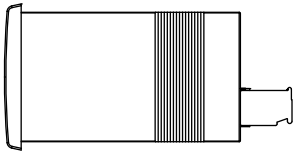
| Linear Interpolation |

DPM03 features the Linear Interpolation function designed to address non-linear analog signals. Through our software (UI), users can freely adjust the signal curve to overcome various challenges. This provides exceptional flexibility to ensure precise and reliable measurement results.

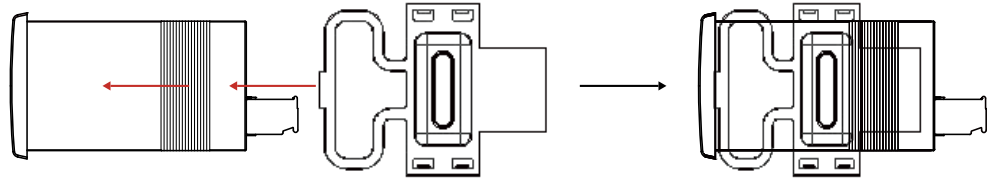


## | Installation |

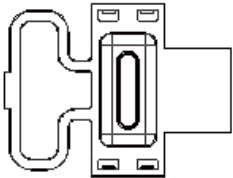
■ Side



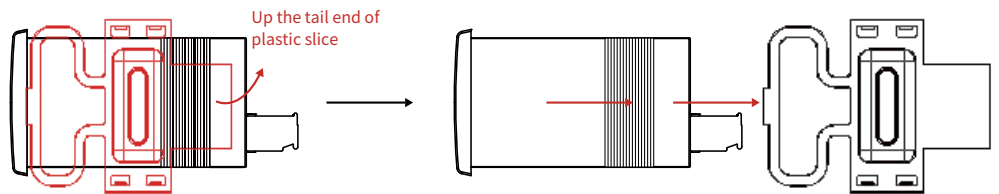
■ Fixed way : Push the plastic fixed slide in horizontally



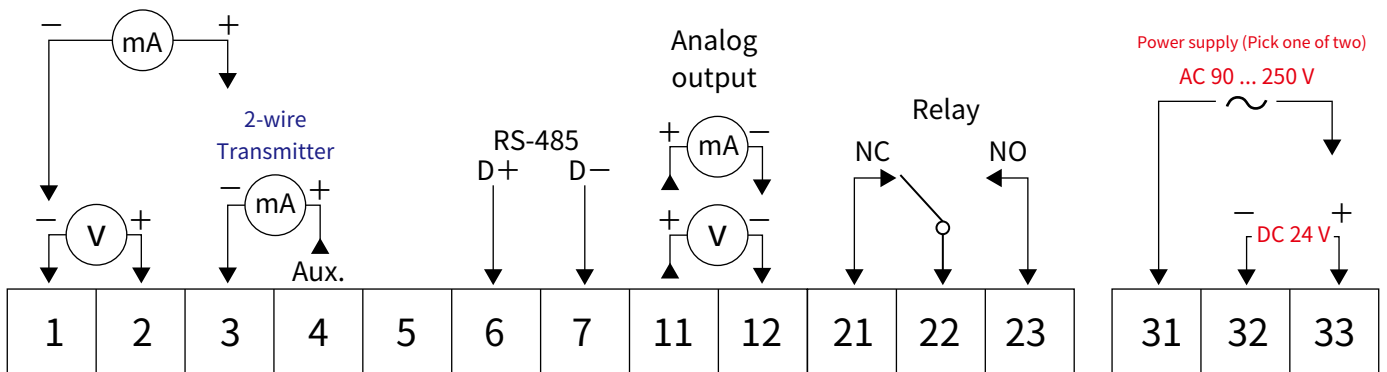
■ Plastic fixed slice



■ Remove way : Up the tail end of plastic slice, then pull it out



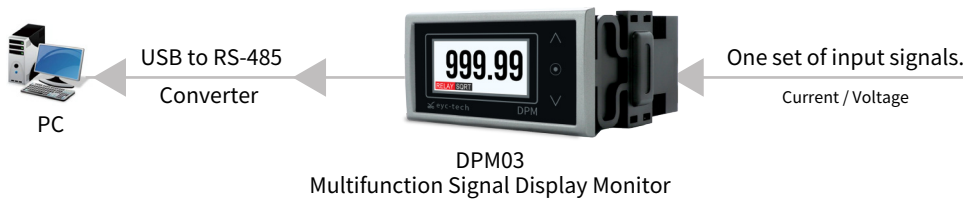
## | Diagram |



\*Please make sure the product and the device which connect with RS-485 are on common ground, avoid damaged product.

## | Programmable |

- Tool : PC, USB to RS-485 converter, Power supply
- Software : DPM UI
- Calibration function : Analog / Linear adjustment / Extraction of square root



Consider pairing it with the eyc-tech Transmitter

Air flow / Temp. & Humidity / Dew point  
Diff. pressure / Liquid flow/ Pressure

## | Ordering Guide |

DPM03 —

Output

**A**

A : Display  
D : Display + 1 Relay + RS-485 + Analog output

Power supply

**01**

01 : AC 90 ... 250 V / 50 ... 60 Hz  
02 : DC 24 V ± 10%