



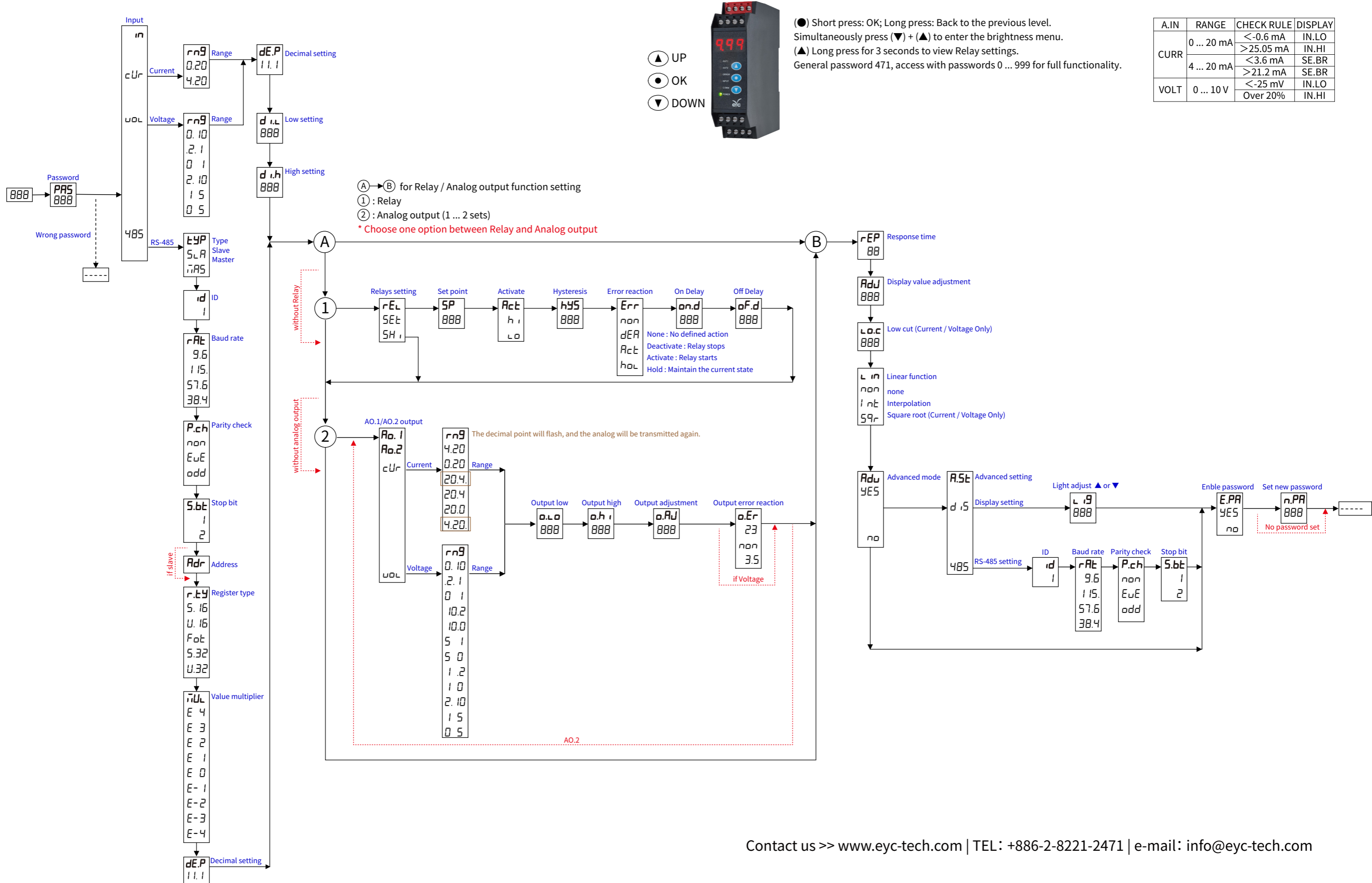
# Operation-Manual

## eyc-tech DPT02 Signal Converter



eyc-tech DPT02





● Short press: OK; Long press: Back to the previous level.  
 Simultaneously press (▼) + (▲) to enter the brightness menu.  
 ▲ Long press for 3 seconds to view Relay settings.  
 General password 471, access with passwords 0 ... 999 for full functionality.

A.IN	RANGE	CHECK RULE	DISPLAY
CURR	0 ... 20 mA	<-0.6 mA	IN.LO
		>25.05 mA	IN.HI
VOLT	0 ... 10 V	<3.6 mA	SE.BR
		>21.2 mA	SE.BR
		<-25 mV	IN.LO
		Over 20%	IN.HI

**Sustainable 、 Green 、 Professional**  
Temperature & Humidity / Dew point /  
Air Velocity / Water Flow Measuring Specialist



Tel.: 886-2-8221-2471  
Web : [www.eyc-tech.com](http://www.eyc-tech.com)  
e-mail : [info@eyc-tech.com](mailto:info@eyc-tech.com)