



SD03

## Industrial Integrated Indicator Transmitter Series



SD03 bundle product



SD03-T



SD03-P



SD03-L

## | Features |

- Multiple input types : Temperature, pressure, level
- 2-wire loop design
- Anti-interference design
- IP rating : IP67
- Suitable for industrial environments
- 4-digit LED display, decimal point can be arbitrarily planned
- Industrial metal meter
- Can be connected to a 2-wire transmitter

## | Introduction |

- **SD03** is set according to the sensor range. Integrated display for industrial sites and 2-wire transmitters. Power supply in two-wire signal loop, high performance and stability suitable for on-site monitoring.

## | Applications |

- Semiconductor Industry / Steel Industry / Chemical Industry / Environmental engineering/ Food / Pharmaceutical / Water Plant / Power Plant / R&D Testing

## | Specification |

### Display

Display readout	-1999 ... +9999
Decimal point	Decimal point, rogrammable

### Input

Input	DC 4 ... 20 mA Temperature / Pressure / Level
-------	---

### Output

Output	4 ... 20 mA
Signal connection	2-wire
Accuracy	0.2% F.S.

### Environment

Operating environment	20 ... +70°C
-----------------------	--------------

### Electrical

Power supply	4 ... 20 mA, 2-wire DC 24 V Loop
Overload current	DC 40 mA
Electrical connection	M27x2(Optional M27x1.5)

### Protect

IP rating	IP67
Electric protection	■ Polarity protection

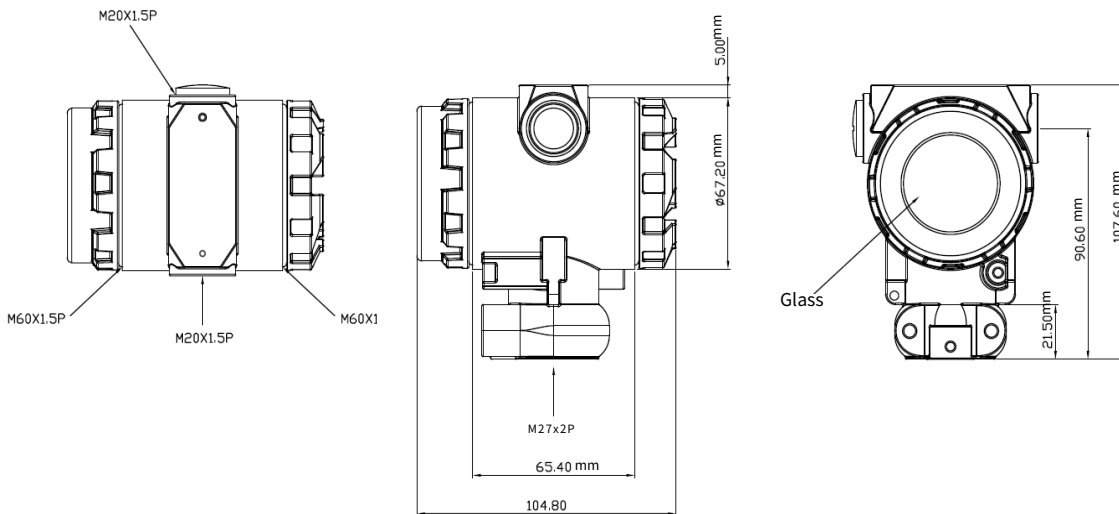
### Certification

Certification	CE
---------------	----

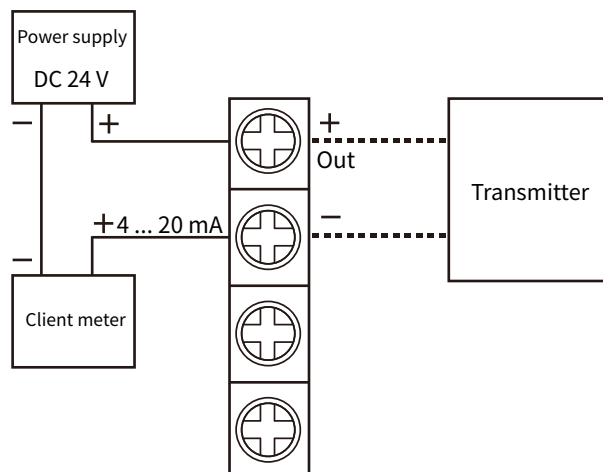
### Material

Housing	Aluminum alloy
Weight	158 g(Without wire)

## | Dimension | Unit:mm



## | Diagram |



## SD03-T Integrated Indicator Temperature Transmitter

SD03 - **T** **1** **1** **2** **2** **W**

**Function**  
T : Temperature


**Output**  
1 : 4 ... 20 mA

**Measuring range**  
1 : -50 ... +50°C  
3 : 0 ... 50°C  
4 : 0 ... 100°C  
5 : 0 ... 200°C  
W : Special thread

**Connection**  
2 : 1/4" PT outside thread  
4 : 1/2" PT outside thread  
B : 1/2" PT movable outside thread  
0 : w/o outside thread  
W : Special thread

**Length**  
1 : 50 mm  
2 : 100 mm  
3 : 150 mm  
4 : 200 mm  
0 : Customization

**Option**  
W : Option



## SD03-P Integrated Indicator Pressure Transmitter

SD03 - **P** **1** **21** **2** **N** **W**


**Function**  
P : Pressure

**Output**  
1 : 4 ... 20 mA

**Measuring range (Relative pressure)**  
03 : 0.25 bar  
04 : 0.40 bar  
06 : 0.60 bar  
11 : 1.00 bar  
12 : 2.00 bar  
13 : 2.50 bar  
14 : 4.00 bar  
16 : 6.00 bar  
21 : 10.0 bar

**Connection**  
2 : 1/4" PT outside thread  
4 : 1/2" PT outside thread

**Option**  
N : No  
W : Option



# SD03-L Integrated Indicator Level Transmitter

SD03 - **L1** **1** **03** **05** **1** **W**

Function: L1 : Level

Output: 1 : 4 ... 20 mA

Measuring range:

- 03 : 0.25 bar
- 04 : 0.4 bar
- 06 : 0.6 bar
- 11 : 1.0 bar
- 12 : 1.6 bar
- 13 : 2.5 bar
- 14 : 4.0 bar
- 16 : 6.0 bar
- 21 : 10 bar


Length:

- 05 : 5 m
- 06 : 6 m
- 08 : 8 m
- 12 : 12 m
- 18 : 18 m
- 27 : 27 m
- 42 : 42 m
- 62 : 62 m
- A2 : 102 m
- 00 : Option

Material:

- 1 : PVC
- 2 : PTFE

Option: W : Option



Note: The standard specification is the pressure range corresponding to the line length, for example:  
 Pressure range 04:0.4 bar corresponds to line length of 06: 6 meters.  
 Pressure range 21:10 bar corresponds to line length A2: 102 meters.

## | Additional Option Test Report | For more detailed information please contact us.

### ■ ILAC / TAF

YUDEN-TECH CO.,LTD. Calibration Laboratory - ( ILAC / TAF ) Test report.  
 (TAF accreditation :3032, complying with ISO / IEC 17025 ) TAF has mutual recognition arrangement with ILAC MRA

Project	Measurand level or range
Resistance thermometer	-40°C ... +300°C
Thermocouple thermometer	-20°C ... +300°C

Project	Measurand level or range
Pressure transmitter	Gauge pressure : 10 ... 7000 kPa

### ■ ISO 9001

Project	Measurand level or range
RTD / Thermocouple	Resistance thermometer : -40°C ... +300°C
	Thermocouple thermometer : -20°C ... +300°C

Project	Measurand level or range
Pressure	Relative pressure : ≤ 6000 kPa